

Non calculator:

Simplify $\frac{x^2 - 4x}{x^2 + x - 20}$.

3

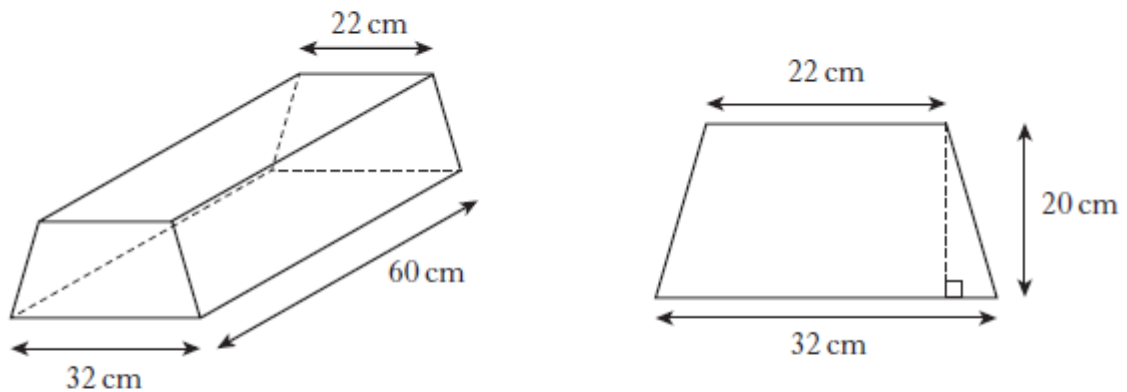
Calculator:

Express $\frac{7}{x+5} - \frac{3}{x}$ $x \neq -5, x \neq 0$ as a single fraction in its simplest form.

3

Challenge Question (calculator):

3. A concrete block is in the shape of a prism.



The cross section of the prism is a trapezium with dimensions as shown.

- (a) Calculate the area of the cross section.
- (b) Calculate the volume of the concrete block.

**3
1**